

# TORQMAX

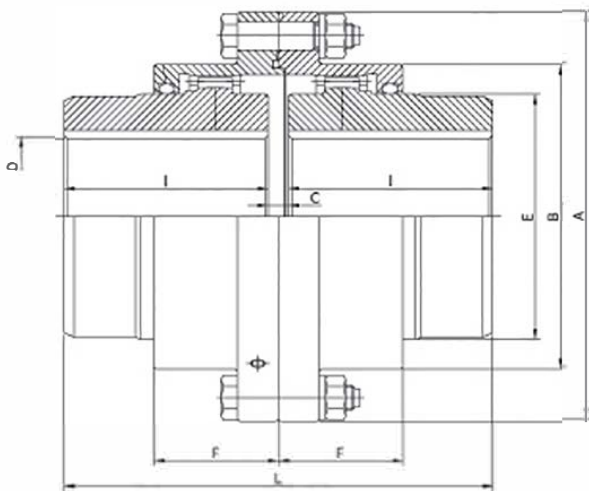
## GEAR COUPLING

PSS Type / PCC Type

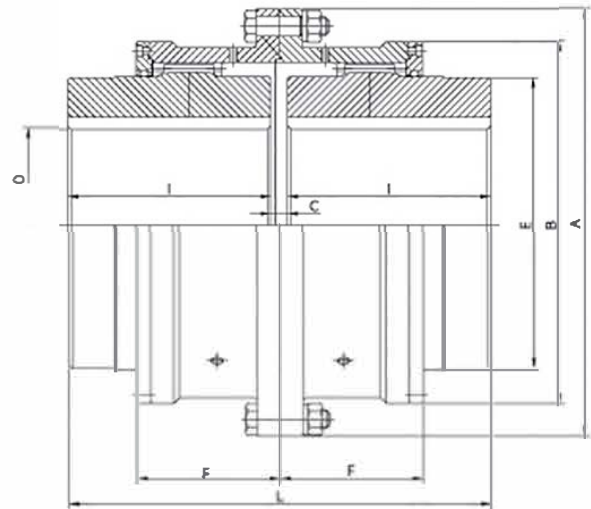


# GEAR COUPLING

PSS Type / PCC Type



● PSS Type



● PCC Type

Size	Max speed (rpm)	Basic Torque (kgf.cm)	Bore Dia (mm)		Dimensions (mm)							Cplg wt (kg)	Lube wt (kg)	Size
			Max.	Min.	A	L	I	E	B	F	C			
P55112	4,000	5,730	40	17	112	108	50	58	79	40	8	4.6	0.04	PSS112
PSS125	4,000	10,160	50	22	125	134	63	70	92	43	8	6.7	0.05	PSS125
PSS140	4,000	14,630	56	22	140	150	71	80	107	47	8	9.3	0.07	PSS140
P55160	4,000	22,390	65	22	160	170	80	95	120	52	10	14	0.09	PSS160
PSS180	4,000	34,380	75	32	180	190	90	105	134	56	10	19	0.12	PSS180
PSS200	3,810	49,100	85	32	200	210	100	120	149	61	10	26	0.15	PSS200
PSS224	3,410	71,330	100	42	224	236	112	145	174	65	12	38	0.25	PSS224
P55250	3,050	96,190	115	42	250	262	125	165	200	74	12	56	0.35	PSS250
PSS280	2,720	166,600	135	42	280	294	140	190	224	82	14	83	0.48	PSS280
PSS315	2,420	262,600	160	100	315	356	170	225	260	98	16	135	0.77	PSS315
P55355	2,150	395,400	180	125	355	396	190	250	288	108	16	184	0.94	PSS355
PSS400	1,900	555,500	200	140	400	418	200	285	329	114	18	261	1.36	PSS400
PCC450	1,690	752,000	205	140	450	418	200	290	372	151	18	304	1.79	PCC450
PCC500	1,520	1,183,000	236	170	500	494	236	335	425	168	22	453	2.65	PCC500
PCC560	1,360	1,697,000	275	190	560	552	265	385	475	187	22	664	3.23	PCC560
PCC630	1,210	2,650,000	325	224	630	658	315	455	548	213	28	1,020	4.93	PCC630
PCC710	1,070	3,800,000	360	250	710	738	355	510	622	242	28	1,460	6.63	PCC710
PCC800	950	5,443,000	405	280	800	832	400	570	690	267	32	2,090	9.35	PCC800
PCC900	840	8,200,000	475	315	900	932	450	670	792	295	32	3,030	12.63	PCC900
PCC1000	760	11,300,000	510	355	1,000	1040	500	720	858	322	40	4,120	13.75	PCC1000
PCC1120	682	16,500,000	600	400	1,120	1160	560	840	990	360	40	5,920	15.45	PCC1120
PCC1250	610	21,200,000	710	500	1,250	1460	710	960	1,126	399	40	9,410	18.25	PCC1250