

E-SAV SERIES

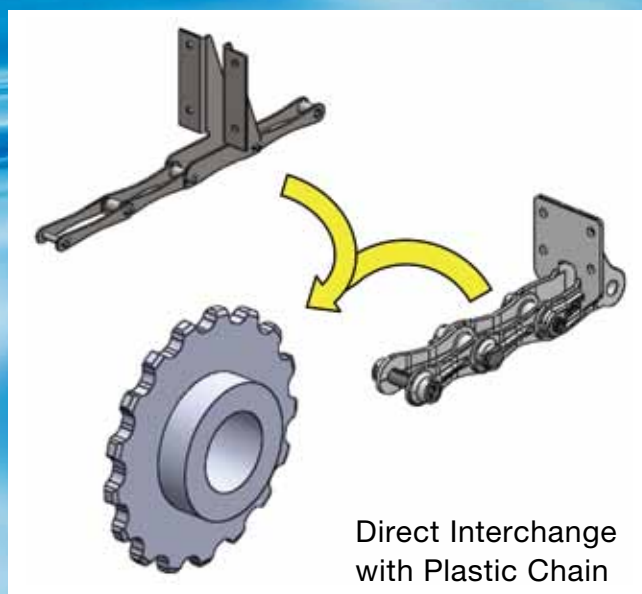
SAV705

Stainless Steel Chain



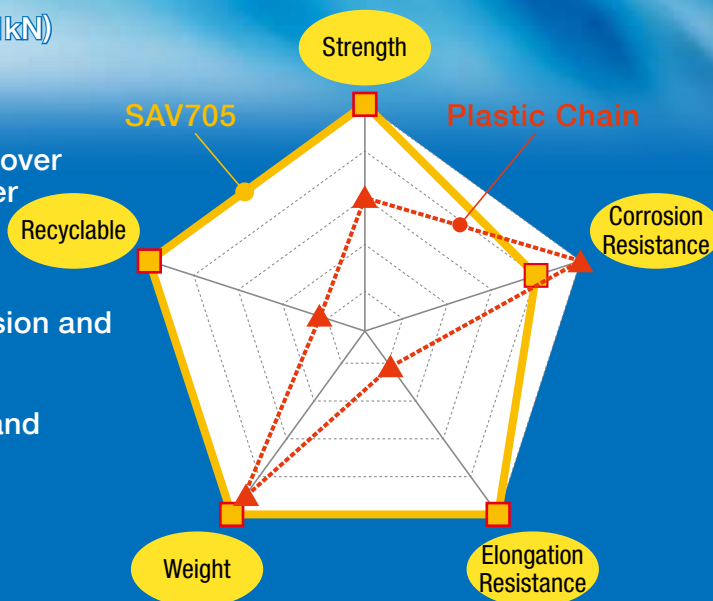
- Designed as an economical stainless steel chain
- Direct Interchange with Plastic Chain
- Light Weight offers easy installation, little maintenance

SAV705 chain was designed as an economical stainless steel chain alternative to plastic chain for rectangular clarifier usage. Maintaining the same materials and design as two chains is the SAV 705 chains ability to run on standard sprockets for plastic chain. No special modifications to the existing systems or tank layout is required.



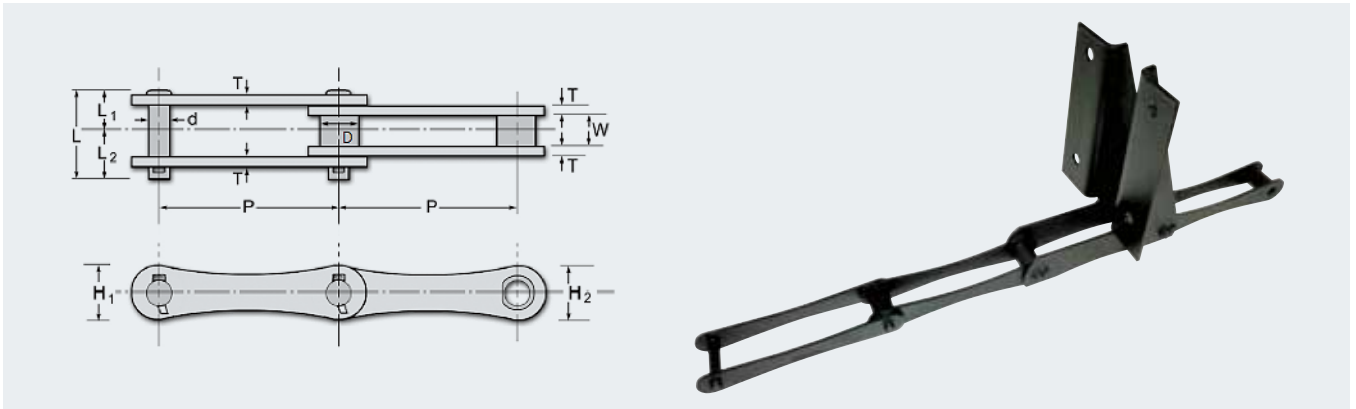
Key Features

- Average Ultimate Strength of 9,900 lbs.(44.1kN) makes the SAV 705 comparable to even high strength composite chains.
- The 400 class Stainless Steel material has over 20 years of proven experience in wastewater treatment applications.
- Special manufacturing processes provide a chain with unmatched resistance to abrasion and corrosion resulting extended service life.
- The light weight offers ease of installation and requires very little maintenance.
- SAV705 can be used with plastic, steel or cast iron sprockets.



SENQCIA CORPORATION

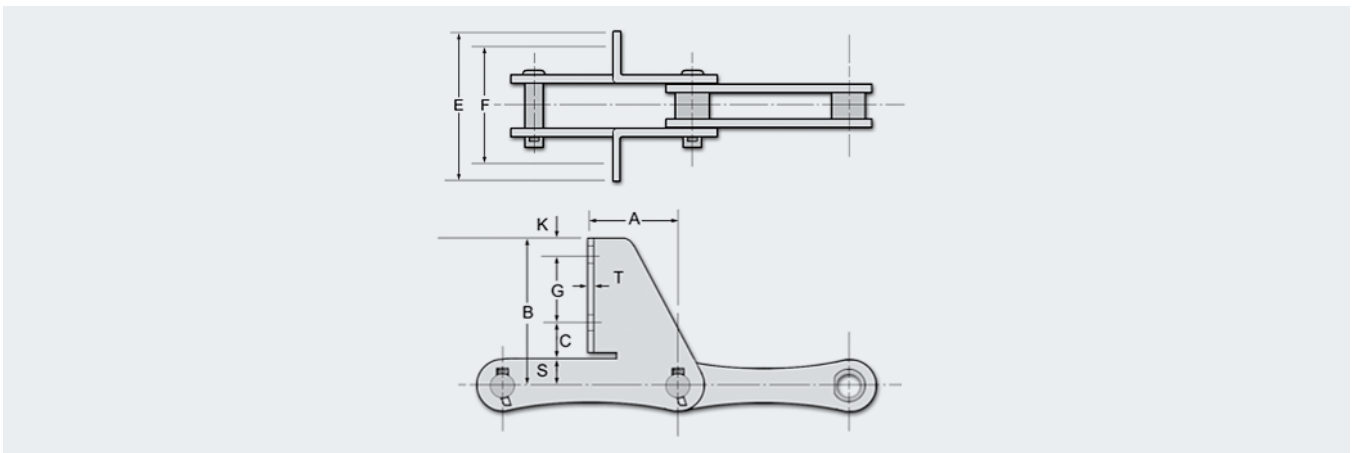
SAV 705 Stainless Steel Chain



Dimensions and Strength of SAV 705 Stainless Steel Chain

Unit length	Pitch P	Bush Dia. D	Inner Width W	Pin			Pin Link		Bush Link		Average Ultimate Strength	Weight	
				Dia. d	Length		Height H ₁	Thickness T	Height H ₂	Thickness T			
					L	L ₁							L ₂
(in.)	5.822	0.787	1.181	0.393	2.145	1.015	1.129	0.984	0.137	1.181	0.137	9,900lbs	1.3lbs/FT
(mm)	147.9	20	30	10	54.5	25.8	28.7	25	3.5	30	3.5	44.1kN	1.9kg/m

SAV 705 Attachment Link



Dimensions of SAV 705 Attachment Link

Attachment Part No.	Unit Length	Dimension									Added weight per attachment
		A	B	C	E	F	G	K	S	T	
F226/705	(in.)	2.913	6.1	1.688	5.5	3.75	2.625	0.783	1	0.137	1.8lbs
	(mm)	74	154.9	42.9	140	95.3	66.7	19.9	25.4	3.5	0.8kg
F228/705	(in.)	2.913	7.972	1.688	5.5	3.75	4.5	0.783	1	0.137	2.2lbs
	(mm)	74	202.5	42.9	140	95.3	114.3	19.9	25.4	3.5	1.0kg

SENQCIA CORPORATION

<http://www.senqcia.com/>
 Email: kokusai@senqcia.com

Head Office Shingu Building, 4-2, Toyo 2-chome, Koto-ku, Tokyo 135-8363 Japan
 Phone: +81-3-3615-5421 Facsimile No.: +81-3-3615-5934

SENQCIA MAXCO, LTD

1630 Cobb International Boulevard, Kennesaw, GA 30152, USA
 Phone: (770)424-9350 Facsimile No.: (770)424-9145

Distributor