

Gathering chains

Based on years of development, testing, and proven performance, **ELITE Gathering Chains** combine a proven chain design with optimum material and metallurgical specifications to provide performance and value unparalleled in the marketplace.

Key features

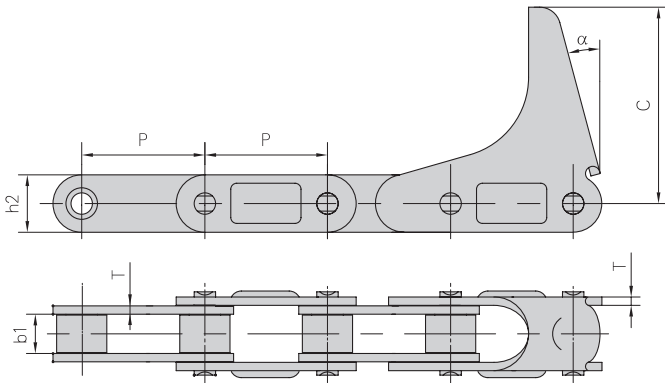
- World wide market lead of Gathering Chains
- EP2000 (enhanced performance) factory lubricant for optimal wear life and rust prevention
- Superior wear life achieved through special pin treatments
- Chains manufactured to OEM Specification
- Sprockets manufactured from forgings with case hardened teeth

For more information, visit www.iwisusa.com or contact our sales engineering team at 877-535-3966





ELITE Gathering Chains –
Designed and manufactured to the highest strength durability standards in the roller chain industry.
Let us prove it!



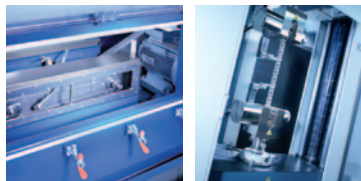
Product Specifications

CHAIN type	P mm	b ₁ mm	h ₂ mm	T mm	C mm	α
CA555-C6E	41,4	12,7	19,3	3,1	63,5	15°
CA620-C13E	42,01	24,51	20,20	3,25	92,0	15°

Various attachment design and spacings available upon request



More than 15 pulsers are available for testing dynamic fatigue strength according to different testing methods



Testing of chain wear elongation behavior on more than 20 testing rigs and evaluation of chain breaking strength and elongation up to 1000kN

Your perfect engineering partner

iwis utilizes state-of-the-art equipment to test the ultimate tensile, fatigue load, and wear characteristics of our chains. Our laboratory has the capabilities to carry out many different testing possibilities including microscopy, metallography, evaluation of mechanical properties, chemical composition and qualified analysis of data.

This investment into R&D allows iwis to engineer and deliver a product that will meet the requirements of each application while being commercially viable.

Let us prove it!