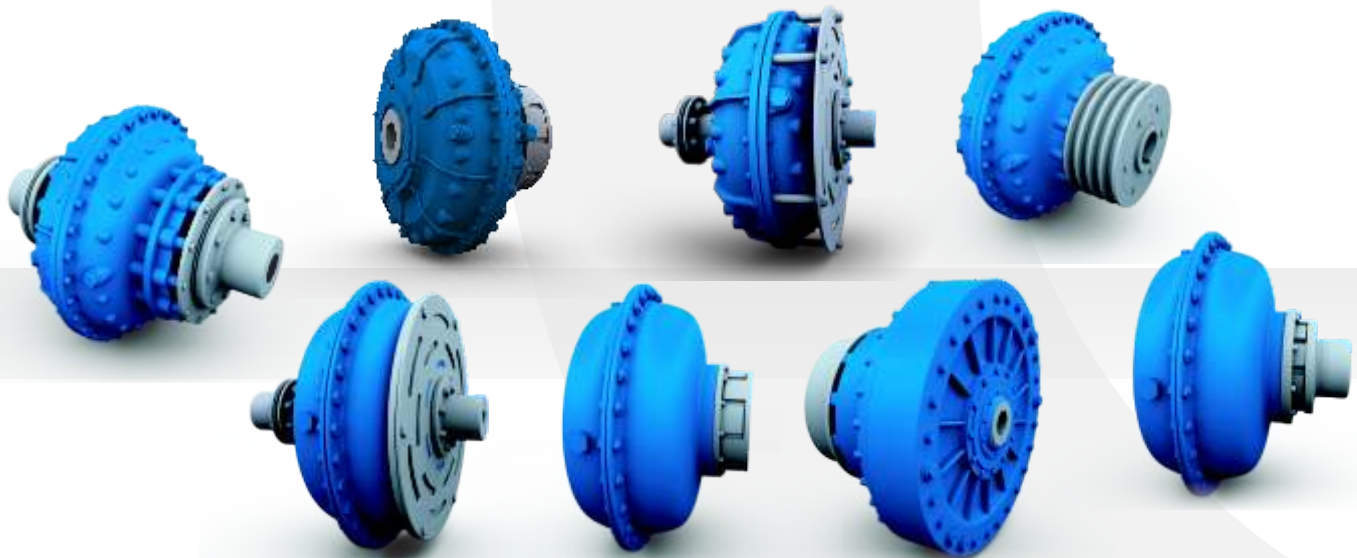


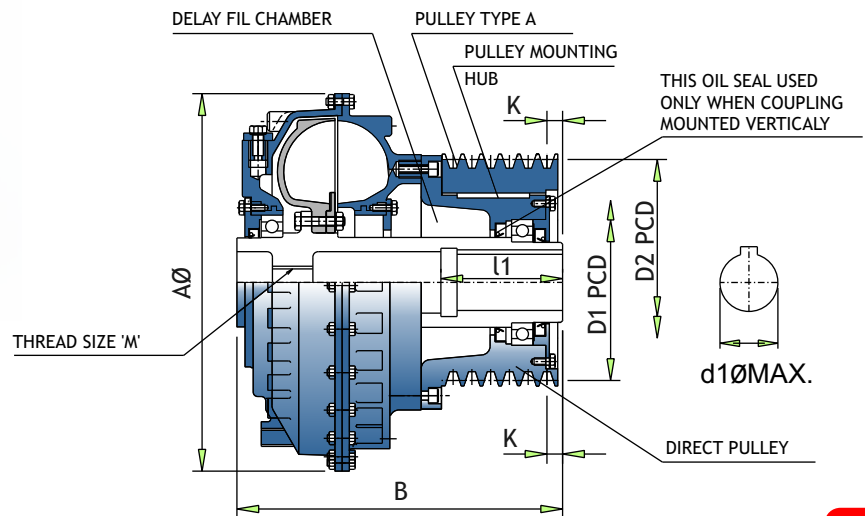
 **FLUIDOMAT**



Fixed Speed / Constant Fill Fluid Couplings

SMP

- SMP are fluid couplings for belt drive offering a wide range of pulley diameters.
- Have an in built delayfil chamber enabling quick decay of motor starting current as motor accelerates to 90% speed faster.
- Suitable for two consecutive starts from hot and three from cold.
- Fusible plug blow off temp. is 130° C as standard. optional 160° C.



Coupling model SMP	Max rating in KW at different input speeds in RPM						A	B	d1 max.	l1	Dry Wt. KG.	Max. Oil Filling In Liters	Threads M BSW
	750	900	1000	1200	1500	1800							
1R	0.6	1	1.5	2.5	5	8	280	166	38	91	18	2.2	1/2"
2R	0.9	1.6	2.2	3.8	7.5	12	310	205	38	91	25	2.8	3/4"
3 R/S	1.2	2.1	3	5	10	15	330	262	42/38	110	30	3.3	3/4"
4 R/S	2.3	4	5.5	9.5	18.5	25	360	284	42/38	110	35	4.1	3/4"
5R	4.1	7	10	17	30	38	395	331	65	142	46	6.5	1"
6R	5.6	10	13	23	45	60	420	374	65	142	65	8.3	1 1/2"
7R	8.3	15	20	34	65	85	465	395	75	142	92	11.1	1 1/2"
8R	11.2	19	26	46	90	120	505	430	85	142	115	14.6	1 1/2"
8B-R	16	29	36	68	125	180	553	495	90	155	121	18	1 1/2"
9R	19	33	45	78	150	200	570	512	90	170	127	22.0	1 1/2"
10R	36	62	85	147	250	325	630	535	110	210	220	28.5	1 1/2"
11R	87	150	205	355	450	-	740	590	110	210	275	44.8	Ø50-8P

* with max. pulley dia in Direct Pulley Mounting

MODEL	PULLEY GROOVE 'SEC'	DIRECT PULLEY MOUNTING				PULLEY GROOVE 'SEC'	PULLEY TYPE-A			
		MAX. NO. OF GROOVES	'D1' PCD.		'K' ±1.5		MAX. NO. OF GROOVES	'D2' PCD.		'K' ±1.5
			Max.	Min.				Max.	Min.	
SMP-1R	SPA/A	3	260	140	16.0	-	-	-	-	-
	SPB/B	2	260	146	19.0	-	-	-	-	-
	SPC/C	1	260	156	23.0	-	-	-	-	-
SMP-2R	SPA/A	4	300	140	16.0	-	-	-	-	-
	SPB/B	3	300	147	19.0	-	-	-	-	-
	SPC/C	2	300	157	23.0	-	-	-	-	-
SMP-3R	SPB	3	160	145	26.0	A	5	260	160	18.0
	SPB	4	140	140	26.0	B	4	260	165	21.0
SMP-4R	B	4	140	140	26.0	C	3	260	170	26.0
	B	3	160	145	26.0	SPA	5	260	160	18.0
	C	2	140	140	31.0	SPB	4	260	165	21.0
SMP-3S SMP-4S	C	2	160	145	31.0	SPC	3	260	170	26.0
	SPA/A	5	139	125	25.0	-	-	-	-	-
	SPB/B	4	139	128	27.0	-	-	-	-	-
SMP-5R	SPZ/Z	6	139	125	23.0	-	-	-	-	-
	B	5	180	175	23.0	A	7	325	205	20.0
	C	3	200	185	27.0	B	5	325	209	23.0
	C	4	185	180	27.0	C	4	325	215	27.0
	SPB	5	180	180	23.0	SPA	7	325	207	20.0
	SPC	3	200	195	27.0	SPB	5	325	213	23.0
SMP-6R	SPC	4	190	190	27.0	SPC	4	325	223	27.0
	A	8	200	170	32.0	A	8	350	215	20.0
	A	5	225	205	30.0	B	6	350	220	22.0
	B	6	200	175	34.0	C	5	350	225	27.0
	B	6	225	210	32.0	SPA	8	350	216	20.0
	C	5	200	180	32.0	SPB	6	350	222	22.0
	C	5	225	215	30.0	SPC	5	350	232	27.0
	SPA	8	200	175	32.0	-	-	-	-	-
	SPA	8	225	210	30.0	-	-	-	-	-
	SPB	6	200	180	34.0	-	-	-	-	-
	SPB	6	225	215	32.0	-	-	-	-	-
SMP-7R	SPC	5	200	190	32.0	-	-	-	-	-
	SPC	5	225	225	30.0	-	-	-	-	-
	B	6	228	195	26.0	B	6	380	224	26.0
	C	5	224	205	30.0	C	5	380	230	30.0
	C	5	200	200	30.0	SPB	6	380	230	26.0
SMP-8R	SPB	6	228	200	26.0	SPC	5	380	240	30.0
	SPC	5	225	215	30.0	-	-	-	-	-
	B	8	250	240	20.0	B	8	420	260	18.0
	B	8	235	225	20.0	C	6	420	265	22.0
	C	6	250	240	24.0	SPB	8	420	265	18.0
	C	6	235	230	24.0	SPC	6	420	275	22.0
	SPB	8	250	240	20.0	-	-	-	-	-
	SPB	8	235	230	20.0	-	-	-	-	-
SMP-8B-R & SMP-9R	SPC	6	250	240	24.0	-	-	-	-	-
	SPC	6	235	235	24.0	-	-	-	-	-
	B	10	250	235	28.0	B	10	500	260	25.0
	C	8	250	240	32.0	C	8	500	265	29.0
SMP-10R	SPB	10	250	240	28.0	SPB	10	500	265	25.0
	SPC	8	250	250	32.0	SPC	8	500	275	25.0
SMP-11R	SPB/B	12	350	285	19.0	SPB/B	12	520	360	19.0
	SPC/C	9	345	295	23.0	SPC/C	9	520	360	23.0
SMP-11R	PULLEY SIZE ON REQUEST									