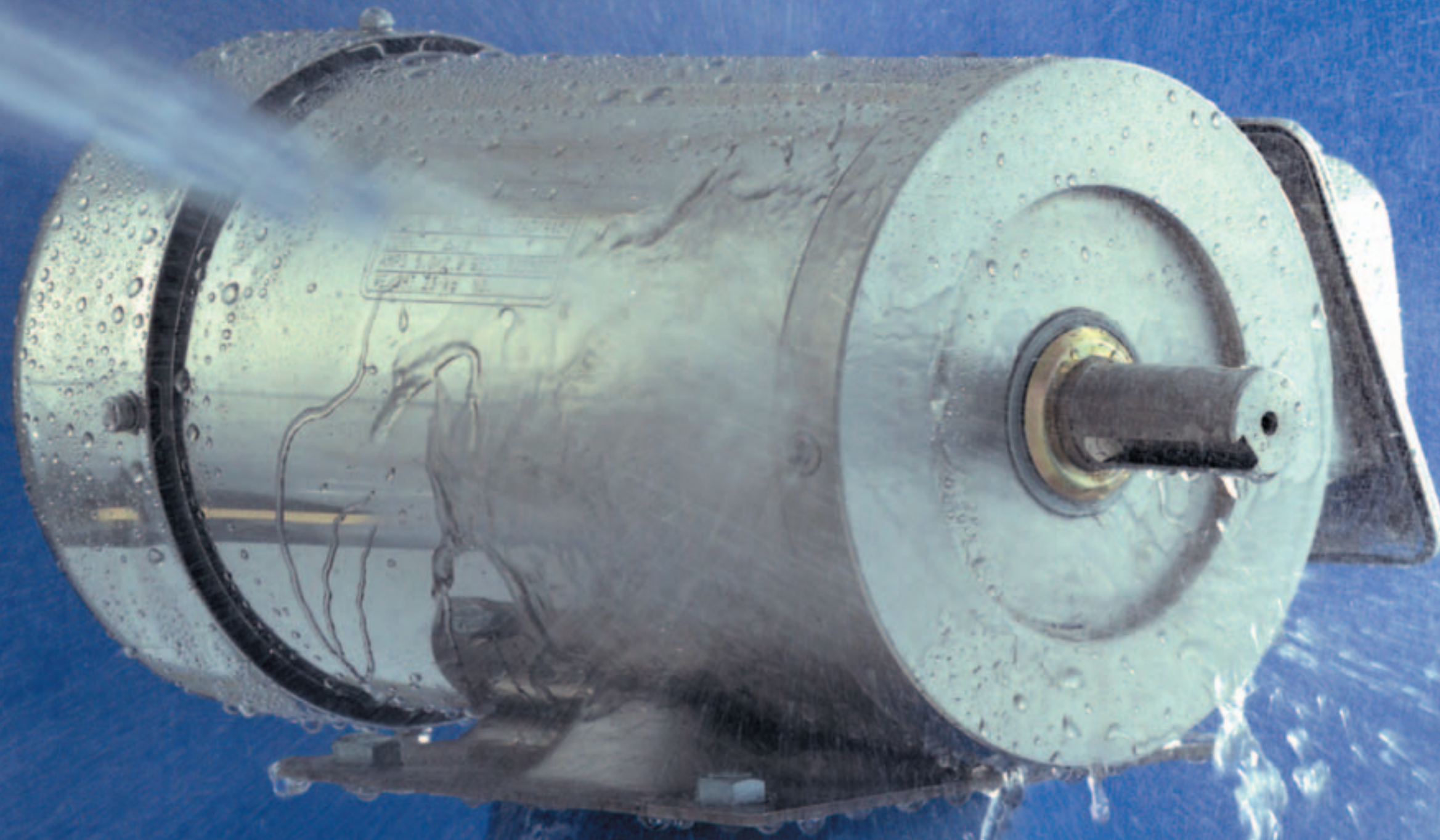


WHEN IT HAS TO BE REALLY CLEAN



**SCORPION**  
METRIC STAINLESS ELECTRIC MOTORS

## Australia's first and only complete range of IEC metric stainless steel electric motors

**Totally hose proof and dust proof (IP66)**

**Quickly and easily cleaned.**

**Motor not damaged by caustic cleaning solutions.**

Up to 7.5KW 132M frame available

Double lip oil seal with corrosion proof gamma seal.

12mm terminal gasket.

Sealing compound on end shields.

Special NTN blue seal bearings,

C3 high temperature (200°C)

Varnished rotor to prevent rust.

4 quadrant drain plugs.

Condensation release drain plug.

Hand wound and inverter duty.

Smooth body for easy cleaning.

Vacuum impregnated windings.

304 stainless.

Etched nameplate.

Locked bearing front end.

Metric IEC frames.

MEPS approved.

B3, B5, B35, B34 mounting.

### Options

Inpro labyrinth seal

Eco-tech labyrinth seal

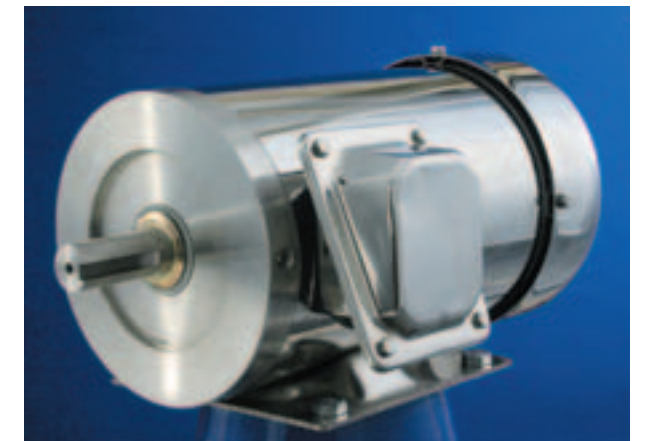
Stainless steel front bearing

9RB gamma seal

Stainless steel housed oil seals



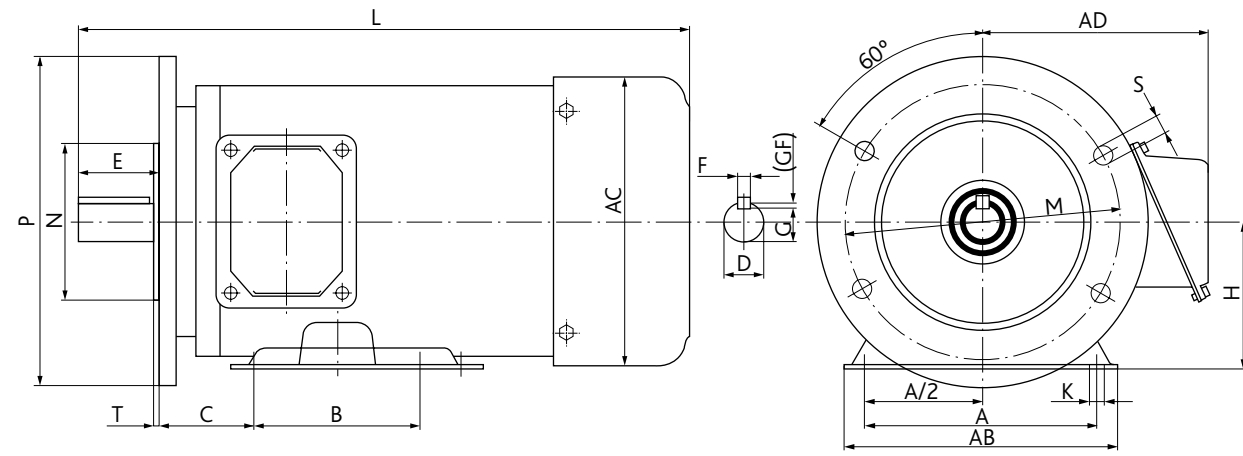
Standard metric frame motor



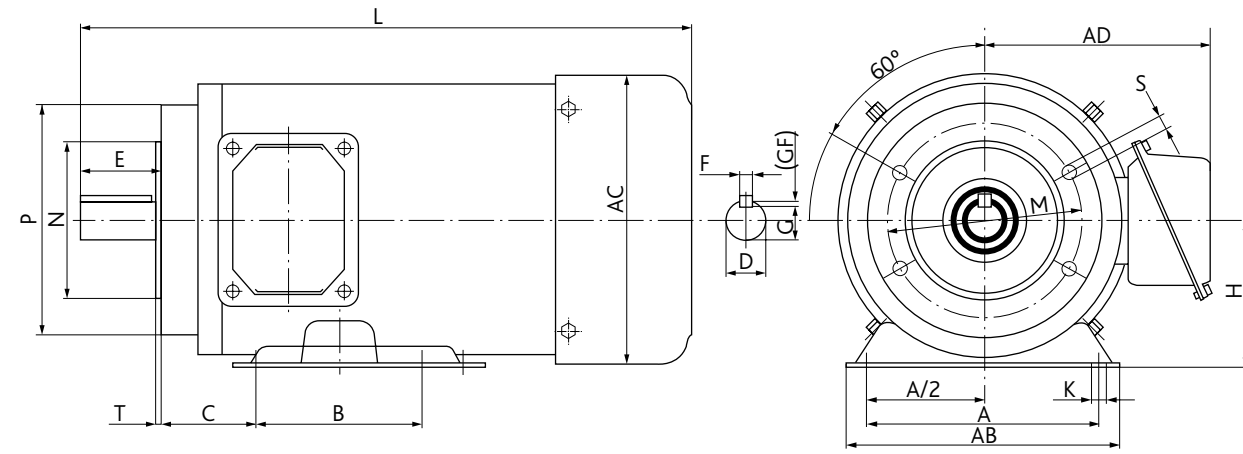
12mm terminal gasket



4 quadrant drain plugs on all models



Frame	Flange	Pole	Dimensions																				
			A	A/2	B	C	D	E	F	G	H	K	M	N	P	R	S	T	Holes	AB	AC	AD	L
H63	FF115	2, 4	100	50	80	40	11	23	4	8.5	63	7	115	95	140	0	10	3	4	125	122	100	275
H71	FF130	2, 4, 6	112	56	90	45	14	30	5	11	71	7	130	110	160	0	10	3.5	4	140	140	118	270
H80	FF165	2, 4	125	62.5	100	50	19	40	6	15.5	80	10	165	130	200	0	12	3.5	4	150	154	122	340
H90S	FF165	6, 8	140	70	100	56	24	50	8	20	90	10	165	130	200	0	12	3.5	4	165	174	140	370
H90L	FF165		140	70	125	56	24	50	8	20	90	10	165	130	200	0	12	3.5	4	165	174	140	415
H100	FF215		160	80	140	63	28	60	8	24	100	12	215	180	250	0	15	4	4	190	197	150	435



Frame	Flange	Pole	Dimensions																				
			A	A/2	B	C	D	E	F	G	H	K	M	N	P	R	S	T	Holes	AB	AC	AD	L
H63	FT75	2, 4	100	50	80	40	11	23	4	8.5	63	7	75	60	90	0	M5	2.5	4	125	122	100	275
H71	FT85	2, 4, 6	112	56	90	45	14	30	5	11	71	7	85	70	105	0	M6	2.5	4	140	140	118	270
H80	FT100	2, 4	125	62.5	100	50	19	40	6	15.5	80	10	100	80	120	0	M6	3.0	4	150	154	122	340
H90S	FT115	6, 8	140	70	100	56	24	50	8	20	90	10	115	95	140	0	M8	3.0	4	165	174	140	370
H90L	FT115		140	70	125	56	24	50	8	20	90	10	115	95	140	0	M8	3.0	4	165	174	140	415
H100	FT130		160	80	140	63	28	60	8	24	100	12	130	110	160	0	M8	3.5	4	190	197	150	435

## Performance data of stainless steel motors based on IEC

Model	Voltage (v)	Rpm	Output (kw)	F/L AMP	F/L EFF (%)	T.R (K)	BTD (%)	LRT (%)	LRA (%)
YSS632-4	240/415	1440	0.18	1.1/0.6	76	52	4.5	4	6
YSS712-4	240/415	1430	0.37	1.5/0.9	79	55	3.4	2.5	6
YSS711-2	240/415	2900	0.37	1.5/0.89	76	52	3.9	3	7.5
YSS802-4	240/415	1440	0.75	3/1.7	80	78	3.4	2.6	6.5
YSS801-2	240/415	2900	0.75	2.8/1.6	82	70	4	3.5	7.5
YSS90L-4	240/415	1440	1.5	5.9/3.2	82.5	76	3.4	2.7	7.4
YSS90S-2	240/415	2890	1.5	5.2/3.0	79	78	3	2.3	7.5
YSS90L-2	240/415	2885	2.2	7.4/4.3	81	77	3.4	3.2	8
YSS100L1-4	240/415	1450	2.2	7.3/4.2	86	61	3	2.4	7
YSS100L2-4	240/415	1440	3	9.5/5.5	87	61	3.2	2.8	7.4
YSS100L1-4	415	1450	1	2	83	58	2.9	2.5	6.5

- All motors except YSS100L1-4 are made with a cooling fan and fan cover
- All motors except YSS100L1-4 have six leads for star-delta connection.
- Motors also can be energized with 265/460v, 60 cycles, but YSS100L1-4 only for 460v/60 cycles

TR - Temperature of motor - less ambient

LRT - Locked rotor torque

LRA - Locked rotor amps

BTD - Starting torque

PROUDLY DISTRIBUTED BY



Harrington Electric Motors  
1674 Centre Road Sprinvale VIC 3171  
Phone: 9546 7515 Fax: 9547 9396



Australia's only totally hoseproof  
stainless electric motor