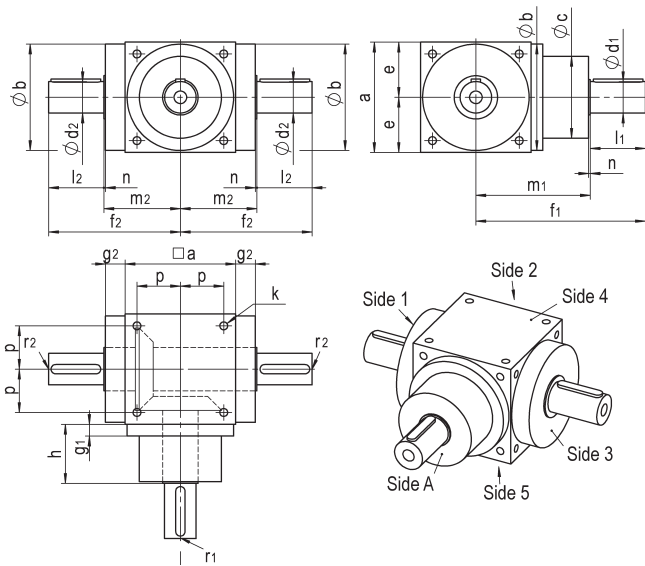
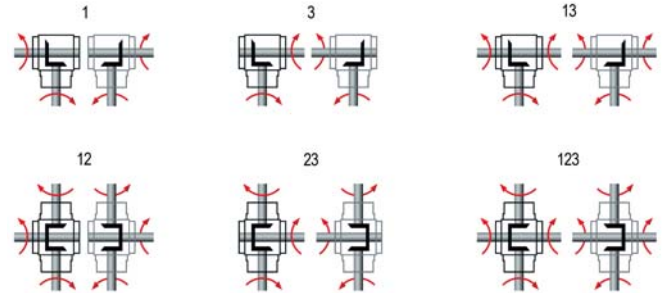


Dimensions and shaft arrangements X-Version reinforced design configuration L



Always right view = mirrored illustration



	X54L	X75L	X90L	X110L	X140L	X170L	X210L	X240L	X280L
a	54	75	90	110	140	170	210	240	280
Øb_{h7}	53	73	88	108	135	165	205	235	275
Øc	53	72	86	106	104	128	160	180	200
Ød_{1 k6}	14	20	25	35	40	50	60	70	80
l₁	30	35	40	60	70	80	110	120	150
Ød_{2 k6}	14	20	25	35	40	50	60	70	80
l₂	30	35	40	60	70	80	110	120	150
e	27	37,5	45	55	70	85	105	120	140
f₁	102	125	140	175	215	255	320	360	425
f₂	69	93	105	140	167	197	252	282	338
g₁	43	15	15	15	15	15	20	25	25
g₂	11	18,5	18	23	25	30	35	40	46
h	45	52,5	55	60	75	90	105	120	135
k	M5 x14,5*	M6 x12	M6 x12	M8 x15,5	M10 x19,5	M12 x23	M16 x30	M16 x30	M16 x30
m₁	72	90	100	115	145	175	210	240	275
m₂	39	58	65	80	97	117	142	162	188
n₁	2	2	2	2	2	2	2	2	2
n₂	1	2	2	2	2	2	2	2	2
p	22	30	36	44	55	67	85	95	110
r_{1**}	M5	M6	M10	M12	M16	M16	M20	M20	M20
r_{2**}	M5	M6	M10	M12	M16	M16	M20	M20	M20
s	–	4x M5 x9	4x M5 x12	6x M6 x12	–	–	–	–	–
t	–	8	8	8	–	–	–	–	–
Øu_{g6}	–	72,9	87	107	–	–	–	–	–
Øv	–	62	76	92	–	–	–	–	–
Key_{d1}	5x5x25	6x6x28	8x7x32	10x8x50	12x8x63	14x9x70	18x11x100	20x12x110	22x14x140
Key_{d2}	5x5x25	6x6x28	8x7x32	10x8x50	12x8x63	14x9x70	18x11x100	20x12x110	22x14x140

* Thread starts from 7.00 mm depth

** According to Form D, DIN332

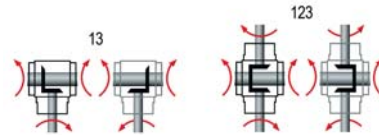
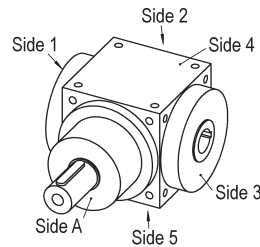
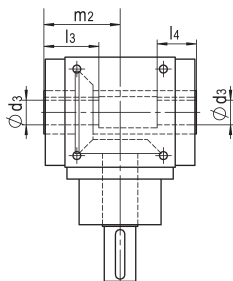
Dimensions and shaft arrangements

X-Version reinforced design

configuration H

POWER GEAR

Always right view = mirrored illustration



	X75H	X90H	X110H	X140H	X170H	X210H	X240H	X280H
a	75	90	110	140	170	210	240	280
Øb_{h7}	73	88	108	135	165	205	235	275
Øc	72	86	106	104	128	160	180	200
Ød_{1 k6}	20	25	35	40	50	60	70	80
l₁	35	40	60	70	80	110	120	150
Ød_{3 h7}	14	18	22	32	40	50	55	60
l₃	47	50	60	70	95	95	115	130
l₄	32	35	45	50	70	70	80	90
e	37,5	45	55	70	85	105	120	140
f₁	125	140	175	215	255	320	360	425
f₂	–	–	–	–	–	–	–	–
g₁	15	15	15	15	15	20	25	25
g₂	18,5	18	23	25	30	35	40	46
h	52,5	55	60	75	90	105	120	135
k	M6 x12	M6 x12	M8 x15,5	M10 x19,5	M12 x23	M16 x30	M16 x30	M16 x30
m₁	90	100	115	145	175	210	240	275
m₂	58	65	80	97	117	142	162	188
n₁	2	2	2	2	2	2	2	2
n₂	2	2	2	2	2	2	2	2
p	30	36	44	55	67	85	95	110
r_{1**}	M6	M10	M12	M16	M16	M20	M20	M20
r₂	–	–	–	–	–	–	–	–
s	4x M5 x9	4x M5 x12	6x M6 x12	–	–	–	–	–
t	8	8	8	–	–	–	–	–
Øu_{g6}	72,9	87	107	–	–	–	–	–
Øv	62	76	92	–	–	–	–	–
Key_{d1}	6x6x28	8x7x32	10x8x50	12x8x63	14x9x70	18x11x100	20x12x110	22x14x140
Key_{d2}	5x5	6x6	6x6	10x8	12x8	14x9	16x10	18x11

** According to Form D, DIN332

WA HEAD OFFICE

Unit 1 / 45 Inspiration Drive WA 6065
 ☎ (08) 9303 4966 📠 (08) 9303 4977
 ✉ info@chainanddrives.com.au

NSW HEAD OFFICE

Unit 7 / 70 Holbeche Road Arndell Park NSW 2148
 ☎ (02) 9674 8611 📠 (02) 9674 8363
 ✉ salesnsw@chainanddrives.com.au

www.chainanddrives.com.au